

# ACTUATOR SERIES ALA200

ESBE series ALA is easily and quickly fitted to ESBEs control valves and is suitable in applications with requirement of force 750 N or fast running time.



3-point/Proportional

## OPERATION

ESBE series ALA is controlled either by a 3-point (increase/decrease) signal and supply voltage 24 or 230 VAC, or proportional (0..10V, 2..10V, 0..20mA or 4..20mA) signal with supply voltage 24 VAC. The actuator is simple to install. It is designed for direct fitting on ESBEs control valves. No adaptor kit is required. The actuator is suitable for control valves with a stroke of 10..20 mm and has a built-in force limitation. The actuators series ALA for proportional signals are automatically adjusted for the actual valve stroke.

## FUNCTION

– The Actuator

The actuator receives a control signal from a controller. A linear movement is transmitted via a rack to the stem of the valve.

– Manual operation

The actuator is simple to operate manually by a 6 mm allen key on the front.

– Position indicator

The end positions of movement are set by a red and a blue indicator on the housing. Actuators for proportional signals are also equipped with a 2–10 V DC position feedback signal, where 2 V always corresponds to the closed position and 10V to the open position.

– Sequence control

Actuators (3-Points version) are able to be controlled in sequence.

## LINKAGE KITS

No linkage kits are required for the fitting to ESBE valves.

Adaptor kits for other valves are available as follows:

Ari	12485, 12486, 12487, 12488	Art. No. 2600 03 00
Danfoss	VF3, VFS2, VRB3, VRG3	Art. No. 2600 04 00
Honeywell	V5011R, V5013R, V538, V5049A, V5050A, V5328A, V5329A, V5329C, V5095A, V176, V5015	Art. No. 2600 10 00
Hora	216GG, 206GG, 306GG, 316GG	Art. No. 2600 03 00
Osby/Regin	MTV/MTVS, MTR/MTRS, 2SA/2SB, FRS, GTR/RTV/BTRV, GTVS/RTVS, GTRS/RTRS	Art. No. 2600 11 00
Satchwell	VZ, VJE, VSF 15-50, VZE, MZF 65-150	Art. No. 2600 08 00
Sauter	B6F, B6G, B6R, B6S, BXD, BXE, V6F, V6G, V6R, V6S, VXD, VXE	Art. No. 2600 05 00
Sauter	BUD, BUE, VUE	Art. No. 2600 09 00
Siemens	VVF 31, VXF 31, VVG 41, VXG 41, VVF 52, VXF 21, VXF 41, VVF 21	Art. No. 2600 01 00
Wittler	V225T, V206H, V216H, V216R, V306H, V316H, V316R	Art. No. 2600 06 00

## OPTIONS

Stem heater DN 15-50, 24 V Art. No. 2610 19 00

## SUITABLE CONTROL VALVES

- Series VLA121, VLA221, VLA131
- Series VLA325, VLA335, VLA425
- Series VLB225, VLB235 ≤ DN80
- Series VLE122, VLE222, VLE132
- Series VLF125, VLF135, VLF335
- Series VLE325
- Series VLC125, VLC225
- Series VLC325, VLC425

## TECHNICAL DATA

Supply voltage (± 10%): \_\_\_\_\_ See table  
 Ambient temperature: \_\_\_\_\_ -10°C\* - +50°C  
 Media temperature: \_\_\_\_\_ -20°C\* - +180°C  
 Ambient humidity: \_\_\_\_\_ max. 90% RH non condensing  
 Enclosure rating: \_\_\_\_\_ IP 54  
 Protection class: \_\_\_\_\_ II  
 Weight: \_\_\_\_\_ 1.2 kg  
 Stroke: \_\_\_\_\_ 10–20 mm  
 Duty cycle: \_\_\_\_\_ max. 20%/h

Material

Cover: \_\_\_\_\_ Plastic

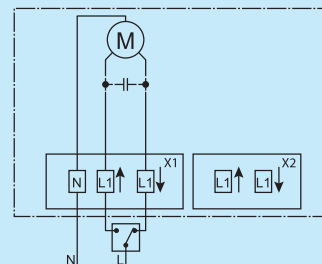
Housing: \_\_\_\_\_ Aluminum

\* If the actuator is used in applications with media temperatures below 0°C, the valve should be equipped with a stem heater.

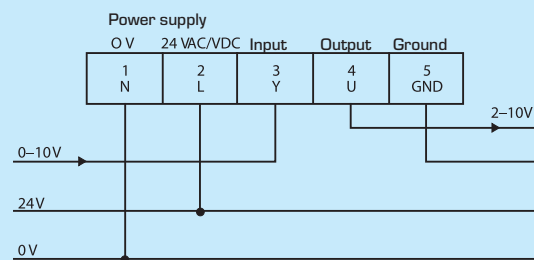
CE LVD 2006/95/EC  
 EMC 2004/108/EC  
 RoHS 2002/95/EC

## WIRING

The actuator should be preceded by a multi-pole contact breaker in the fixed wiring.

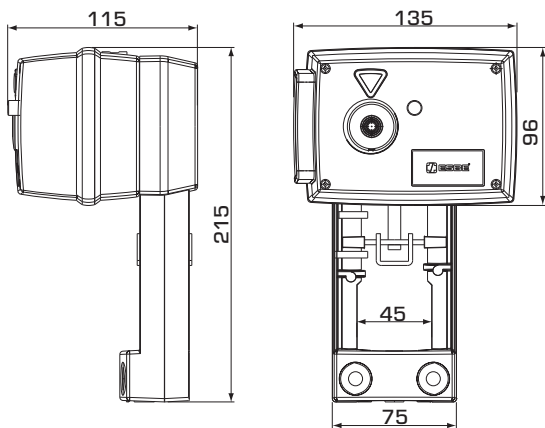


Series ALA221, ALA222



Series ALA223

# ACTUATOR SERIES ALA200



### SERIES ALA221, 3-POINT CONTROL SIGNAL 230 VAC

Art. No.	Reference	Supply voltage [V]	Force [N]	Running time (20mm)	Power consumption [VA]	Note
2200 08 00	ALA221	230 VAC, 50Hz	400	35	5.0	
2200 02 00			750	140		

### SERIES ALA222, 3-POINT CONTROL SIGNAL 24 VAC

Art. No.	Reference	Supply voltage [V]	Force [N]	Running time (20mm)	Power consumption [VA]	Note
2200 07 00	ALA222	24 VAC, 50Hz	400	35	3.0	
2200 01 00			750	140		

### SERIES ALA223, PROPORTIONAL CONTROL SIGNAL 24 V AC/DC

Art. No.	Reference	Supply voltage [V]	Force [N]	Running time (20mm)	Power consumption [VA]	Note
2200 09 00	ALA223	24 VAC/DC, 50/60Hz	400	35	7.5	1)
2200 03 00			750	140		

Note 1) Control signal 0...10V, 2...10V, 0...20mA or 4...20mA