

# Balancing valve STV



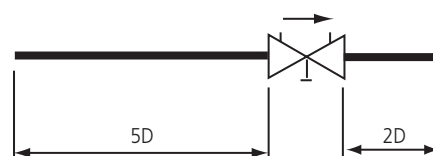
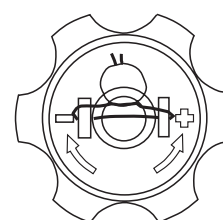
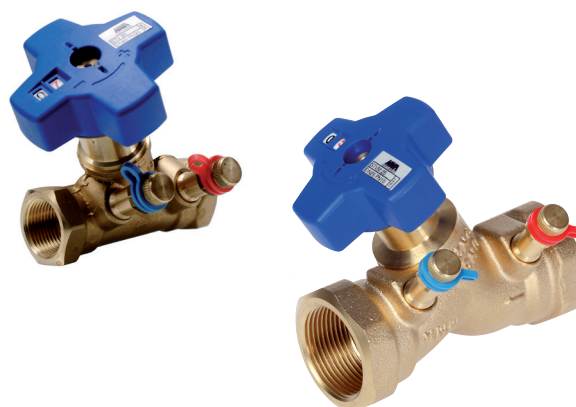
## Areas of use

The balancing valve STV is used to adjust and balance the flow in heating and cooling systems.

## Description

STV is a threaded valve without a drain. The valve is equipped with self-sealing measuring sockets, placed at a 45° angle in relation to the wheel centre. The handwheel is equipped with a digital display. The valve is set at the desired flow or kv-value according to the diagram by means of the handwheel. When the value of the valve is set, it can be locked. This is done by screwing down the inner spindle to its end position with a 3 mm Allen key. After locking, the valve can be closed but can not however be opened at a higher kv value than the one set. The wheel can be sealed according to the figure.

To avoid turbulence which can affect the measuring accuracy the valve should not be assembled close to bends, branch lines and other valves directly before or after the valve according to the figure.



## Technical data

### Pressure class

PN 20

### Max temperature

120°C

### Min temperature

-20°C

### Max closing pressure

200 kPa

### Min pressuredrop

5 kPa

### Recommended pressure drop at rated valve

5-10 kPa

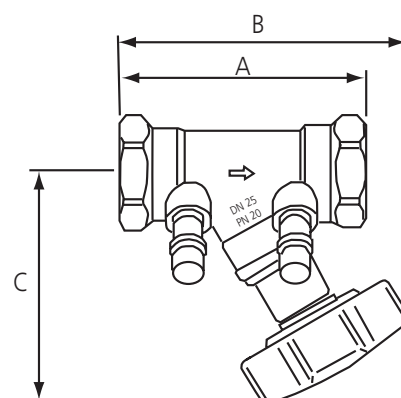
### Material

Dezincification resistance brass

Gaskets EPDM

## Dimensions

	Dim	A	B	C	Weight /kg
DN 10	10	80	108	95	0,45
DN 15	15	86	111	95	0,53
DN 20	20	90	114	95	0,58
DN 25	25	102	120	96	0,77
DN 32	32	120	127	96	1,20
DN 40	40	132	139	108	1,50
DN 50	50	154	148	111	2,30





## Setting

By means of the wheel, the valve is set at the desired flow or kv-value according to the diagram. When the value of the valve is set, it is locked. This is done by screwing down the inner spindle to its end position with a 3 mm Allen key. After locking, the valve can still be closed but cannot however be opened at a higher kv value than the one set.

## kv-value

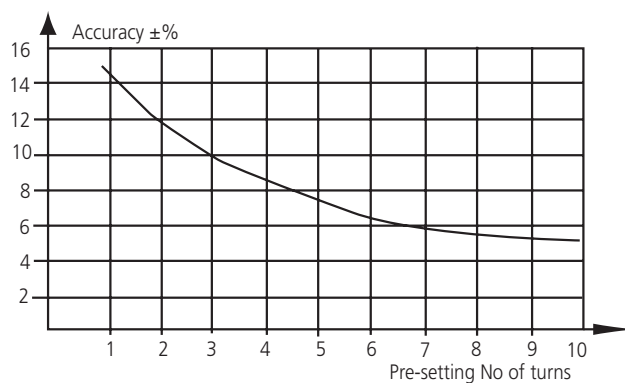
No turns	DN10	DN15	DN20	DN25	DN32	DN40	DN50
1	0,11	0,18	0,34	0,48	0,79	1,20	2,00
2	0,18	0,32	0,60	0,77	1,32	2,05	3,60
3	0,27	0,45	0,83	1,03	1,80	2,80	5,20
4	0,41	0,62	1,13	1,50	2,70	4,10	7,60
5	0,65	0,86	1,55	2,30	4,10	6,20	11,90
6	1,02	1,17	2,10	3,60	5,90	8,90	16,70
7	1,78	1,62	2,90	5,00	7,80	12,00	21,20
8	2,30	2,55	3,85	6,50	9,70	14,70	25,00
9	2,60	3,15	4,50	7,90	11,50	17,10	28,60
10	2,80	3,55	5,10	8,80	13,10	19,50	31,50

## Flow measuring

The measuring instrument is connected to the measuring socket of the valve. The instrument is pre-programmed with the characteristics of all our adjustment valves and proving rings. Other valve manufacturers' data is also added to the instrument. Values for pressure drop and flow can be read directly on the display. If you do not have access to the MMA instrument some other brands can be used. The flow can then be read from the pressure drop diagram found in the operating instructions.

### Accuracy

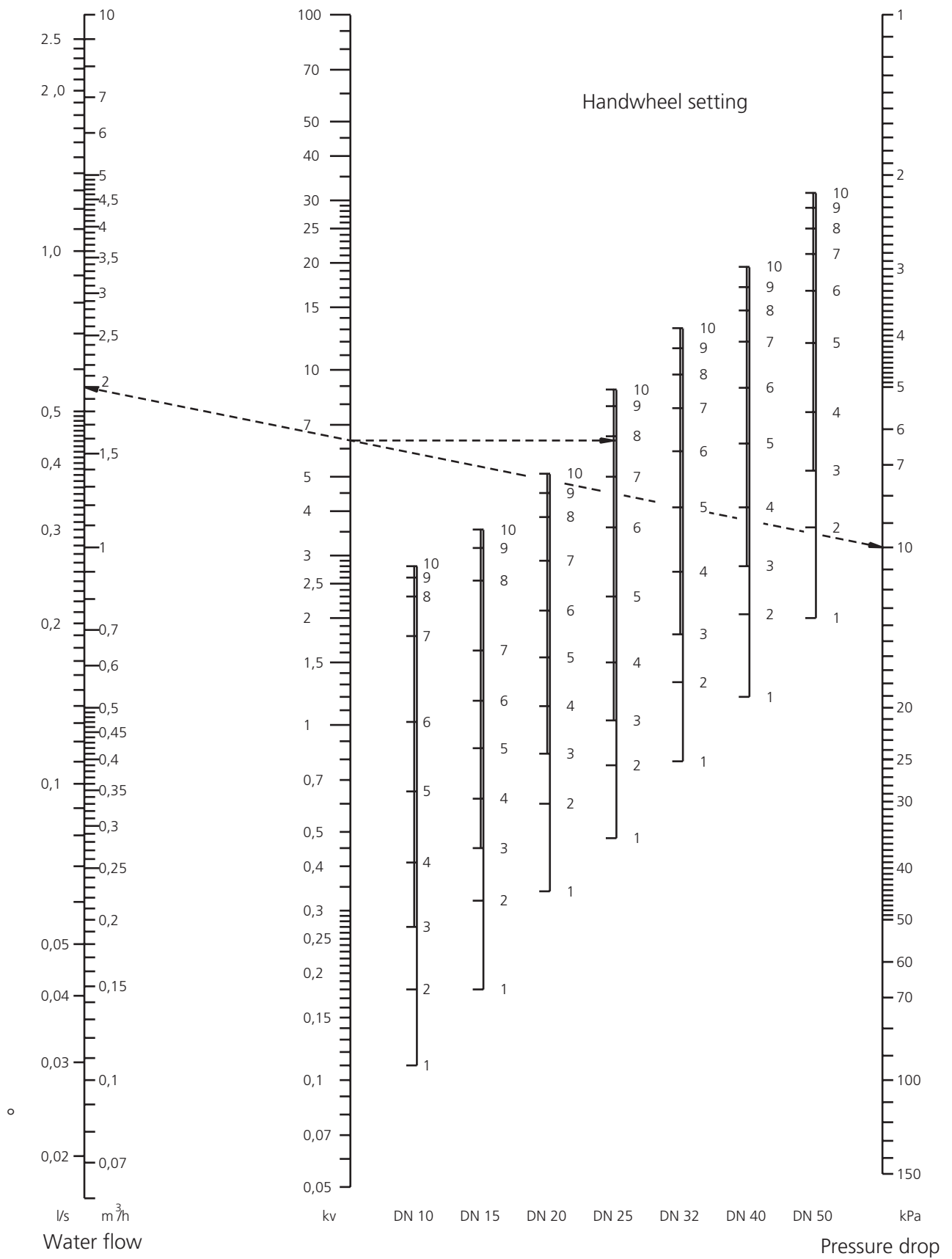
Accuracy is greatest when the valve is fully open. The smaller the opening, the importance of manufacturing tolerances increases, as variations in measurements are then greater percentage-wise. It is better to choose a valve that has a pre-set value above three turns.



## Ordering codes

RSK no.	Art.no.	Name	Description
489 25 41	3250001	STV 10	Balancingvalve without drain
489 25 42	3250101	STV 15	Balancingvalve without drain
489 25 43	3250201	STV 20	Balancingvalve without drain
489 25 44	3250301	STV 25	Balancingvalve without drain
489 25 45	3250401	STV 32	Balancingvalve without drain
489 25 46	3250501	STV 40	Balancingvalve without drain
489 25 47	3250601	STV 50	Balancingvalve without drain

We reserve the right to alter information without notice



We recommend a pressure drop at 5-10 kPa at rated valve.