

Actuator VMO/VMC



Areas of use

Together with an electronic room thermostat, i.e. R41 or other breaker function, MMA's actuator can regulate all MMA's two and three-way valves.



Description

The actuators has an "on/off" function and is available in two designs:

VMO normally open, pushes the valve's spindle at electric current.

VMC normally closed, lifts the valves spindle at electric current.

Both types are available in 230V AC och 24V AC. The position of the spindle is indicated in blue above the connecting union nut.

The actuator can be mounted on MMA valves with M28x1,5 nut, on other makes with M30x1,5 nut and even on other makes an adapter unit.

Technical data

Current initial

24V - 200 mA, 230V - 300 mA

Current consumption

24V - 70 mA/2W, 230V - 8mA/2W

Closing and opening time

ca 3 min

Stroke

ca 4 mm

Operating force

100N

Ambient temp.max

50°C

Material

Polyamide, brass

Connection cable

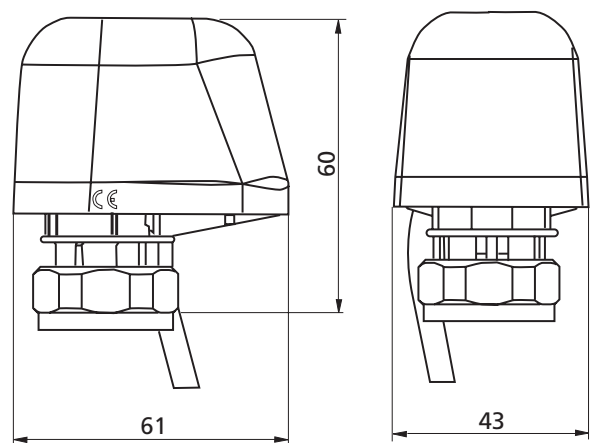
1 metre 2 x 0,75 mm²

Color

RAL 9016

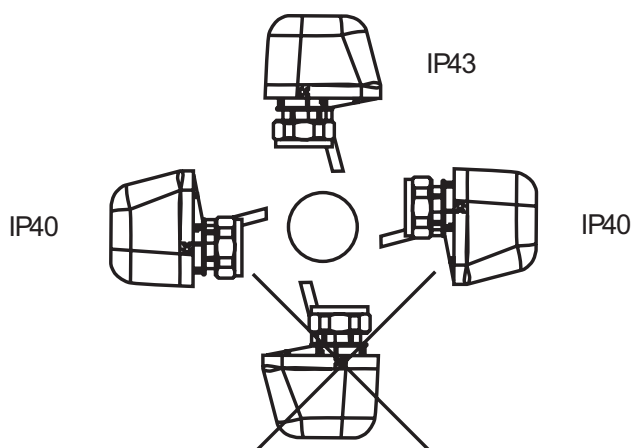
Weight

140 g



Valve function non-electric

Type	Radiator valve	Cooling valve	3-way valve
VMO	Open	Closed	Port A closed
VMC	Closed	Open	Port B closed



Ordering codes

RSK no.	Art.no.	Name	Description
480 57 96	3032301	VMO 24V	NO M28x1,5 1 m cable
480 57 97	3032302	VMO 230V	NO M28x1,5 1 m cable
480 57 98	3032401	VMC 24V	NC M28x1,5 1 m cable
480 57 99	3032402	VMC 230V	NC M28x1,5 1 m cable
480 57 55	3034401	VMO 24 V	NO M30x1,5 1 m cable
480 57 56	3034402	VMO 230V	NO M30x1,5 1 m cable
480 57 57	3034501	VMC 24V	NC M30x1,5 1 m cable
480 57 58	3034502	VMC 230V	NC M30x1,5 1 m cable

We reserve the right to alter information without notice.