

S-1140/S-1240 Resilient seat gate valve DN 200-300

Serienr 02-03

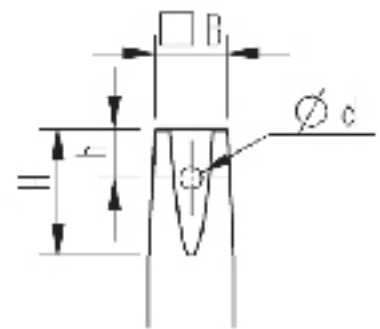
Application and features

- Application: Drinking water
- Design pressure 64 bar
- Clockwise closing
- Blow-out proof bonnet gasket
- Lockable bayonet coupling system for spindle extension
- GSK approved epoxy coating



Technical description

- Standards: EN 1171, EN 1984, EN 12516-2, ISO 7259, EN 1074, EN 545
- Face-to-face length S-1140: NS-EN 558/ ISO 5752 series 14
- Face-to-face length S-1240: NS-EN 558/ ISO 5752 series 15
- Max. working pressure: PN16, vacuum -0,8 bar
- Flange drilling: Standard drilling PN 10 (EN1092-2)
- Max. temperature: 50°C
- Test pressure open valve: 24 bar
- Test pressure closed valve: 21 bar
- Valve top: Prepared for spindle extension S-1880
- Stem: Non-rising with tapered stem end, according to DIN 87303 (see table)
- Bonnet connection: Socket head bolt, recessed and covered with wax
- Stem: Non-rising. With tapered stem end according to DIN 87303
- Coating: Epoxy according to DIN 3476 and DIN 30677-2
Colour: Blue, RAL 5017
- GSK standard: RAL - GZ 662

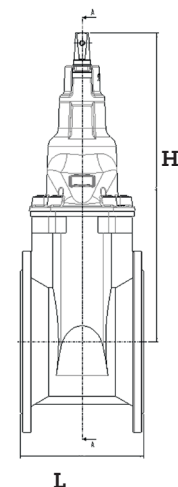


Dimensions stem top:

DN	B	H	h	d
200	24,3	49	18,5	8
250-300	27,3	46,5	18,5	8

References and dimensions

Series	DN mm	Flense-boring	H mm	L mm	Weight-kgs	Kv m ³ /h	Z	Esco no
S-1140	200	PN 10	579	230	59	4090	0,15	11400205
	200	PN 16	579	230	59	4090	0,15	11400206
	250	PN 10	685	250	86	6390	0,15	11400250
	250	PN 16	685	250	86	6390	0,15	11400251
	300	PN 10	766	270	128	9202	0,15	11400300
	300	PN 16	766	270	128	9202	0,15	11400301
S-1240	200	PN 10	579	400	76	4090	0,15	12400205
	200	PN 16	579	400	76	4090	0,15	12400206
	250	PN 10	685	450	101	6390	0,15	12400250
	250	PN 16	685	450	101	6390	0,15	12400251
	300	PN 10	766	500	136	9202	0,15	12400300
	300	PN 16	766	500	136	9202	0,15	12400301

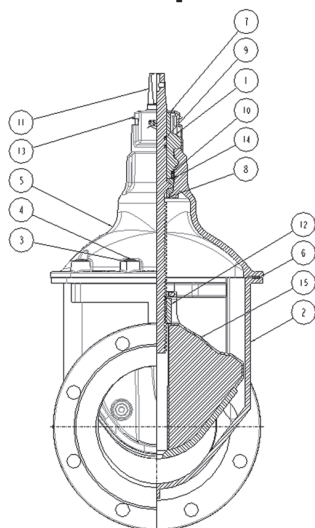


Ulefos Esco AS can accept no responsibility for possible errors in catalogues, brochures and other printed material. Ulefos Esco AS reserves the right to alter its products without notice. This also applies to products already on order provided that such alterations can be made without subsequential changes being necessary in specifications already agreed. All trademarks in this material are property of the respective companies. Ulefos Esco AS and the Ulefos Esco AS logotype are trademarks of Ulefos Esco AS. All rights reserved.

S-1 140/S-1 240 Resilient seat gate valve DN 200-300

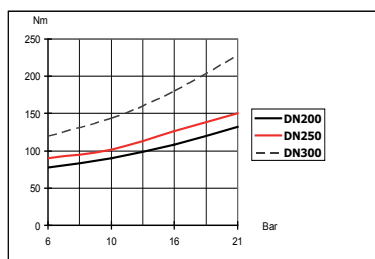
Serienr 02-03

Material specification



Pos	Detalj	Materialer
1	Bayonet	Dezincification resistant brass (DZR)
2	Body	Ductile iron, EN1563 EN-GJS-500-7
3	Socket head bolt	Steel 8.8
4	Wax	
5	Bonnet	Ductile iron, EN1563 EN-GJS-500-7
6	Bonnet gasket	Rubber EPDM, Forsheda
7	Sticker.	CW/CCW
8	Lower bearing	POM-C
9	Spindle O-ring	Rubber EPDM
10	Spindle O-ring	Rubber EPDM
11	Spindle	Stainless steel EN 10088-3 1.4021
12	Stem nut	RG5
13	Plastic cap	POM-C
14	Upper bearing	POM-C
15	Wedge	Ductile iron EN1563 EN-GJS-500-7, EPDM

Characteristics



DN	No of turns	Bore dia	Max allowed torque
200	33	190	300 Nm
250	43	240	350 Nm
300	49	290	350 Nm

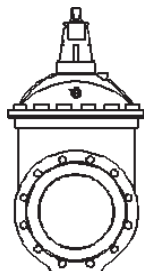
If the valve does not close at max torque pls check for possible errors

Additional equipment

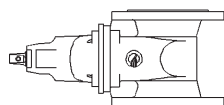
S-1110 Handwheel
S-1112 Handwheel extension L=250 (DN 100)
S-1112 Handwheel extension L=265 (DN 150)

S-1880 Spindle extension
S-1880-0 Operating tool bar
S-1830/S-1835/S-1840 Operating box

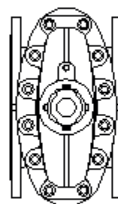
Installation



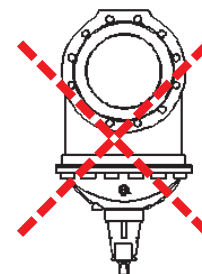
Recommended



Possible



Possible



Not recommended